

artos[®]

F402-5

INSTALLATION GUIDE

3-hole deck mount tub filler
squ

BRUSHED NICKEL(BN)



CHROME(CH)



artos[®]

F402-5

OPERATING SPECIFICATIONS

3-hole deck mount tub filler
squ



FEATURES

Tub Filler with Two Controls

OPERATING PRESSURE

Minimum: 15 psi

Maximum: 75 psi

Above 90psi it may be necessary to install a pressure reducer

OPERATING TEMPERATURE

Maximum: 176°

FLOW RATE

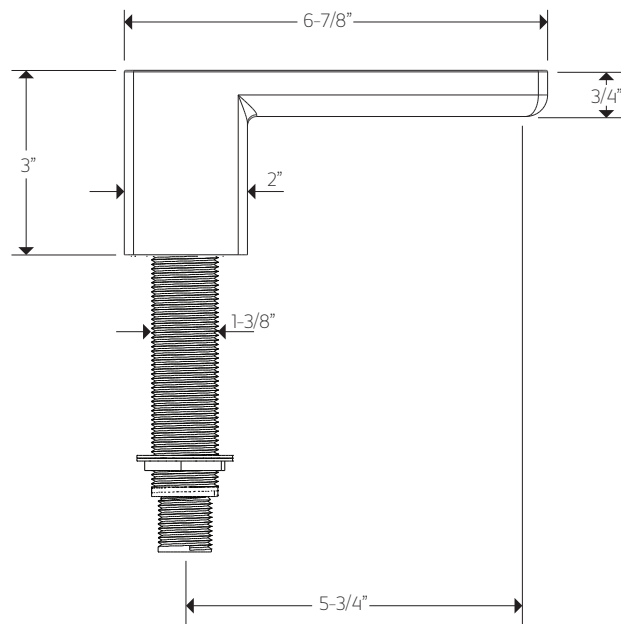
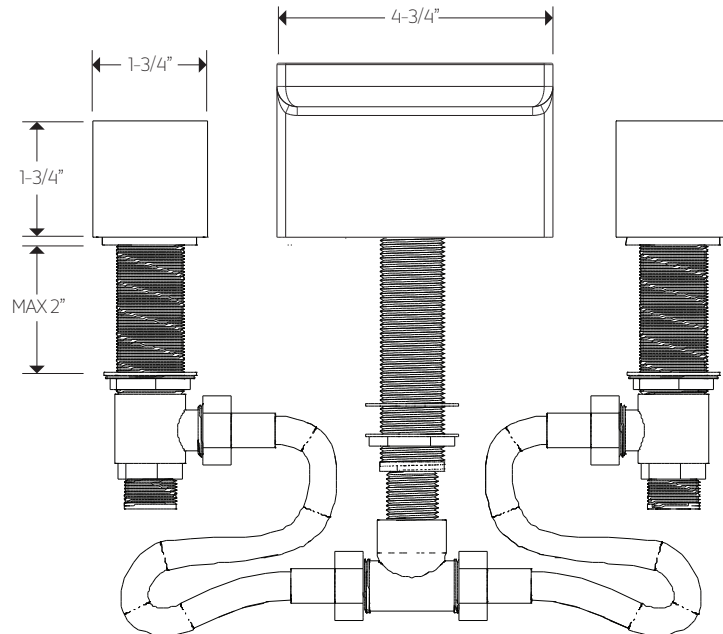
12.0 USGPM

artos[®]

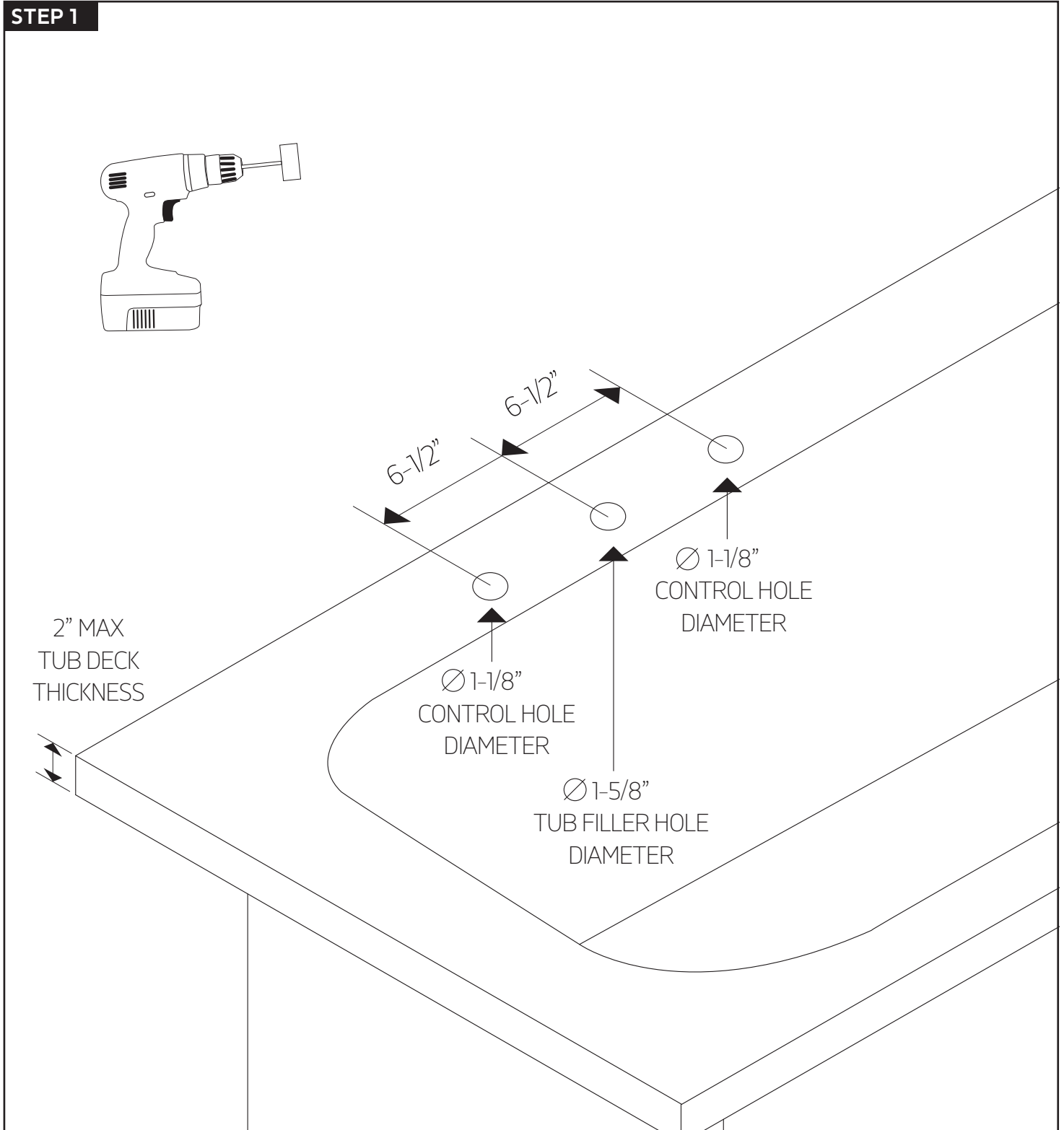
F402-5

PRODUCT DIMENSIONS

3-hole deck mount tub filler
squ

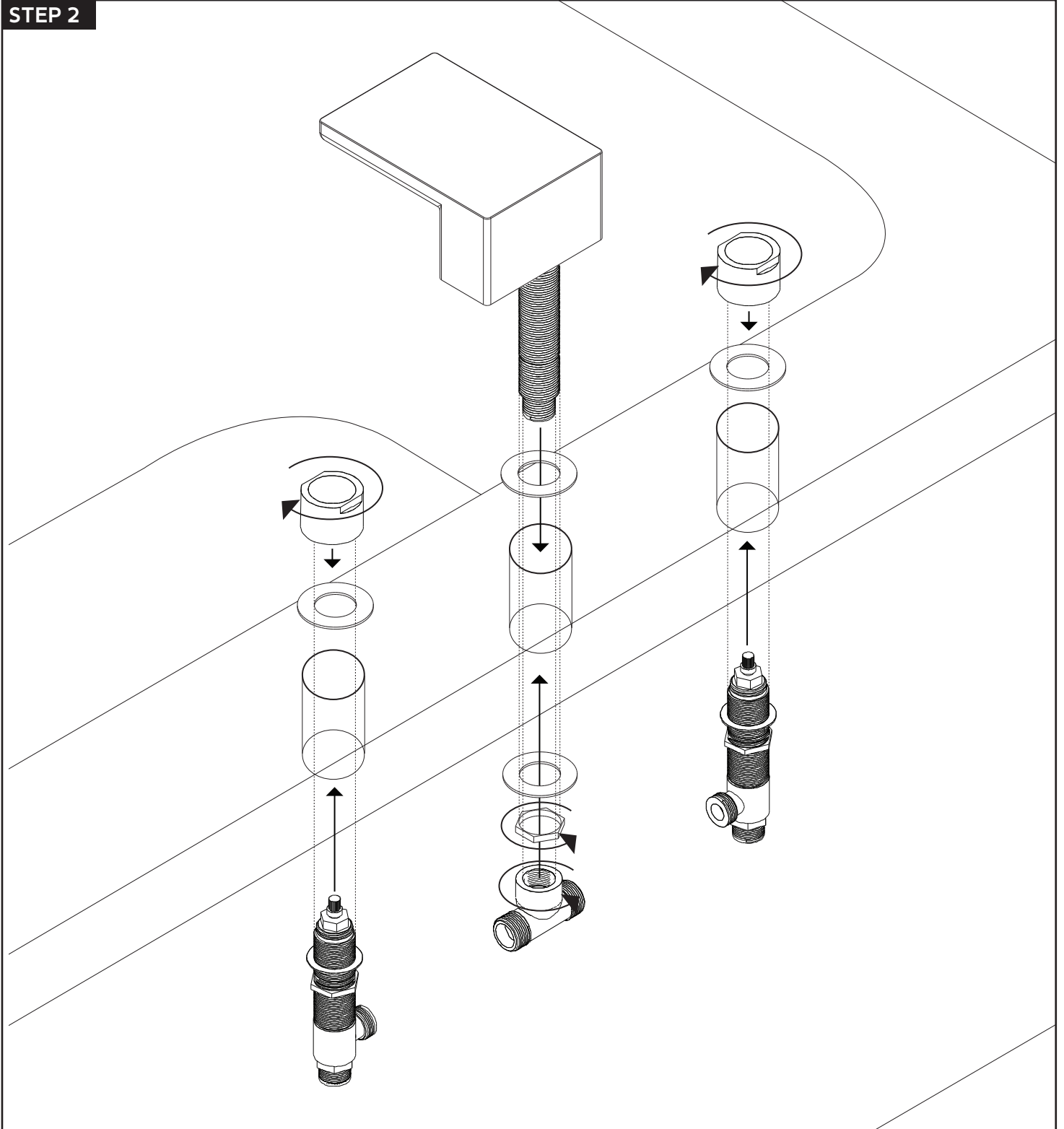


STEP 1



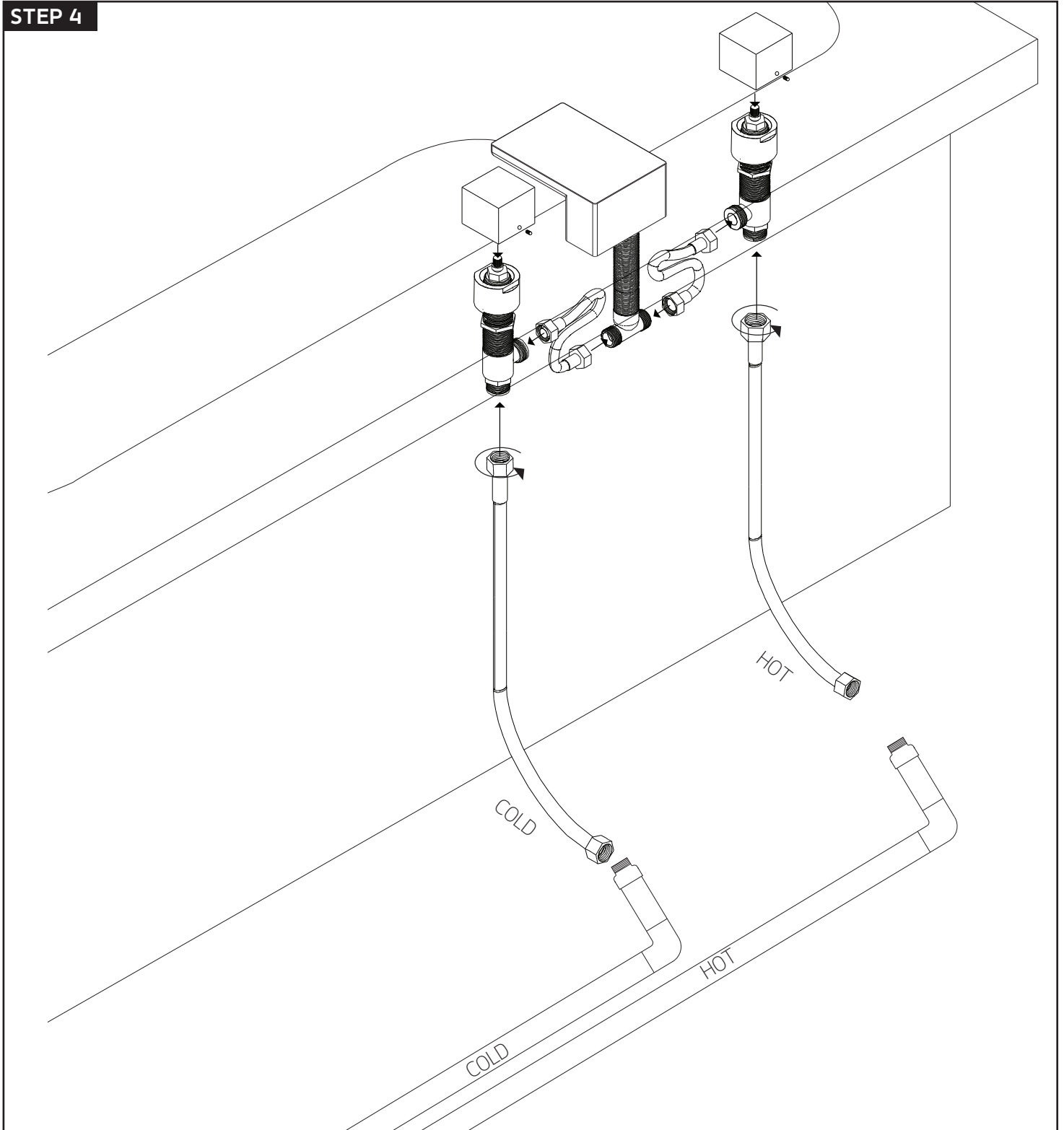
INSTALLATION STEPS

STEP 2

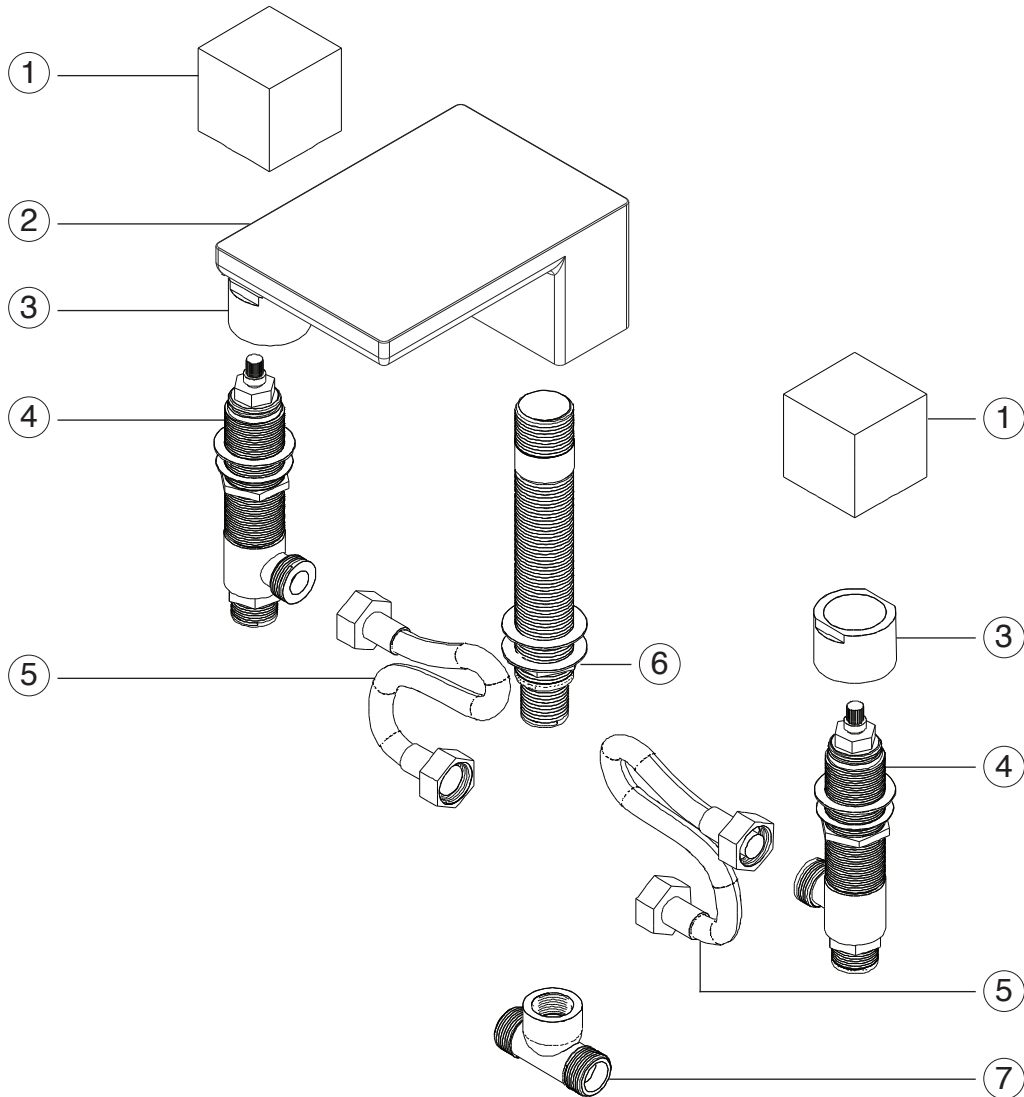


3-hole deck mount tub filler
squ

STEP 4



3-hole deck mount tub filler
squ



- ① CONTROL HANDL
- ② TUB FILLER
- ③ TUB FILLER CONTROL DRESS RING
- ④ TUB FILLER VALVE
- ⑤ SUPPLY HOSE
- ⑥ SPOUT CONNECTOR
- ⑦ SPOUT SUPPLY CONNECTOR